

Hydraulic Motors - Service Information M4C / M4SC / M4C1 / M4SC1

Denison Vane - Flügelzellen - Palettes - Palette - Paletas

aerospace
climate control
electromechanical
filtration
fluid & gas handling
hydraulics
pneumatics
process control
sealing & shielding



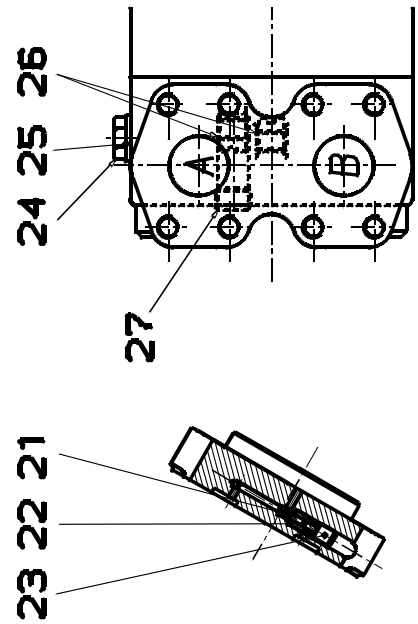
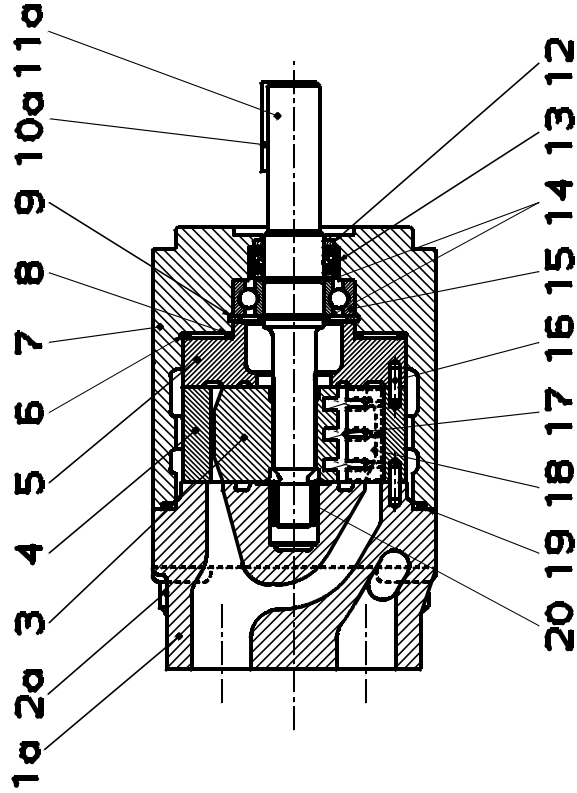
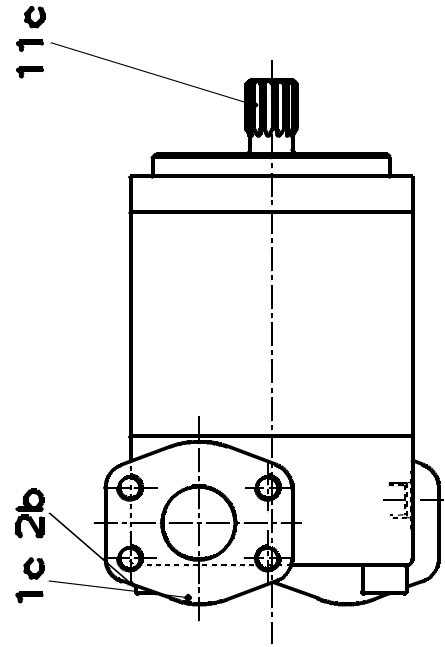
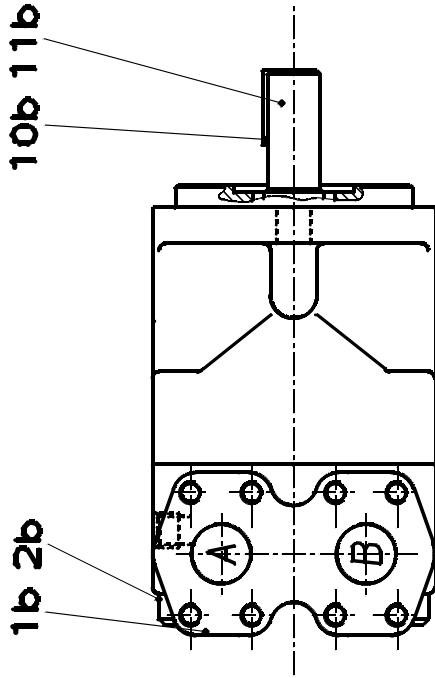
ENGINEERING YOUR SUCCESS.

Drawing

M4C - M4C1
M4SC - M4SC1

	Item - Pos. - Réf. - Pos.	
	2a	2b
Mounting torque	102 Nm	110 Nm
Anziehdrehmoment	75 ft.lbs	81 ft.lbs
Couple de serrage		
Coppia di serraggio		
Par de apriete		
		11,5 to 12,6 Nm 8,5 to 9,3 ft.lbs

Recommended repair kits and assy's are bold printed
Empfohlene Austausch - Baugruppen sind fett gedruckt
Les pochettes de rechange recommandées sont imprimées en caractères gras
I kit di ricambio consigliati sono indicati in grassetto
Los juegos de reparacion recomendados y los conjuntos, estan en negrita



Spare part list

Series M4C, Denison Vane Motors

Item Pos. Réf. Pos.	Description	Benennung Description	Description	Part N° Teil Nr. Code N° Referencia M4C - M4SC1	Part N° Teil Nr. Code N° Referencia M4SC - M4SC1	Qty Stück Qty		
1a	End cap rear ported Coperchio bocche posteriori	Deckel axiale Anschlüsse Bocas en tapa trasera	Chapeau orifices arrières					
	4-bolts UNC (SAE drain) (M4C - M4SC) UNC 4 fori (drenaggio SAE) (M4C - M4SC)	UNC Flansch (SAE Leckölanschluß) (M4C - M4SC) UNC 4 agujeros (drenaje SAE) (M4C - M4SC)	4 trous UNC (drain SAE) (M4C - M4SC)	G	034-49804-0	034-49804-0	1	
	SAE thd. port (SAE drain) (M4C - M4SC) Filettature SAE (drenaggio SAE) (M4C - M4SC)	SAE Gewinde (SAE Leckölanschluß) (M4C - M4SC) Rosca SAE (drenaje SAE) (M4C - M4SC)	Orifice taraudé SAE (drain SAE) (M4C - M4SC)	H	034-49806-0	034-49806-0	1	
	4-bolts UNC (BSPP drain) (M4C - M4SC) UNC 4 fori (drenaggio BSP) (M4C - M4SC)	UNC Flansch (R Leckölanschluß) (M4C - M4SC) UNC 4 agujeros (drenaje BSP) (M4C - M4SC)	4 trous UNC (drain BSPP) (M4C - M4SC)	J	034-32062-0	034-32062-0	1	
	4-bolts Metric (BSPP drain) (M4C - M4SC) Metrica 4 fori (drenaggio BSP) (M4C - M4SC)	Metric Flansch (R Leckölanschluß) (M4C - M4SC) Metrico 4 agujeros (drenaje BSP) (M4C - M4SC)	4 trous métriques (drain BSPP) (M4C - M4SC)	K	034-37147-0	034-37147-0	1	
	4-bolts UNC (SAE drain) (M4C1 - M4SC1) UNC 4 fori (drenaggio SAE) (M4C1 - M4SC1)	UNC Flansch (SAE Leckölanschluß) (M4C1 - M4SC1) UNC 4 agujeros (drenaje SAE) (M4C1 - M4SC1)	4 trous UNC (drain SAE) (M4C1 - M4SC1)	L	034-49805-0	034-49805-0	1	
	SAE thd. port (SAE drain) (M4C1 - M4SC1) Filettature SAE (drenaggio SAE) (M4C1 - M4SC1)	SAE Gewinde (SAE Leckölanschluß) (M4C1 - M4SC1) Rosca SAE (drenaje SAE) (M4C1 - M4SC1)	Orifice taraudé SAE (drain SAE) (M4C1 - M4SC1)	M	034-49807-0	034-49807-0	1	
	4-bolts UNC (BSPP drain) (M4C1 - M4SC1) UNC 4 fori (drenaggio BSP) (M4C1 - M4SC1)	UNC Flansch (R Leckölanschluß) (M4C1 - M4SC1) UNC 4 agujeros (drenaje BSP) (M4C1 - M4SC1)	4 trous UNC (drain BSPP) (M4C1 - M4SC1)	N	034-66211-0	034-66211-0	1	
	4-bolts Metric (BSPP drain) (M4C1 - M4SC1) Metrica 4 fori (drenaggio BSP) (M4C1 - M4SC1)	Metric Flansch (R Leckölanschluß) (M4C1 - M4SC1) Metrico 4 agujeros (drenaje BSP) (M4C1 - M4SC1)	4 trous métriques (drain BSPP) (M4C1 - M4SC1)	P	034-66990-0	034-66990-0	1	
	End cap side ported Coperchio bocche laterali	Deckel seitliche Anschlüsse Bocas en tapa laterales	Chapeau orifices de côté					
	1b	4-bolts UNC (SAE drain) (M4C - M4SC) UNC 4 fori (drenaggio SAE) (M4C - M4SC)	UNC Flansch (SAE Leckölanschluß) (M4C - M4SC) UNC 4 agujeros (drenaje SAE) (M4C - M4SC)	4 trous UNC (drain SAE) (M4C - M4SC)	Q	034-71150-0	034-71150-0	1
		SAE thd. port (SAE drain) (M4C - M4SC) Filettature SAE (drenaggio SAE) (M4C - M4SC)	SAE Gewinde (SAE Leckölanschluß) (M4C - M4SC) Rosca SAE (drenaje SAE) (M4C - M4SC)	Orifice taraudé SAE (drain SAE) (M4C - M4SC)	R	034-71151-0	034-71151-0	1
		4-bolts UNC (BSPP drain) (M4C - M4SC) UNC 4 fori (drenaggio BSP) (M4C - M4SC)	UNC Flansch (R Leckölanschluß) (M4C - M4SC) UNC 4 agujeros (drenaje BSP) (M4C - M4SC)	4 trous UNC (drain BSPP) (M4C - M4SC)	S	034-66072-0	034-66072-0	1
		4-bolts Metric (BSPP drain) (M4C - M4SC) Metrica 4 fori (drenaggio BSP) (M4C - M4SC)	Metric Flansch (R Leckölanschluß) (M4C - M4SC) Metrico 4 agujeros (drenaje BSP) (M4C - M4SC)	4 trous métriques (drain BSPP) (M4C - M4SC)	T	034-66600-0	034-66600-0	1
		4-bolts UNC (SAE drain) (M4C1 - M4SC1) UNC 4 fori (drenaggio SAE) (M4C1 - M4SC1)	UNC Flansch (SAE Leckölanschluß) (M4C1 - M4SC1) UNC 4 agujeros (drenaje SAE) (M4C1 - M4SC1)	4 trous UNC (drain SAE) (M4C1 - M4SC1)	U	034-71152-0	034-71152-0	1
		SAE thd. port (SAE drain) (M4C1 - M4SC1) Filettature SAE (drenaggio SAE) (M4C1 - M4SC1)	SAE Gewinde (SAE Leckölanschluß) (M4C1 - M4SC1) Rosca SAE (drenaje SAE) (M4C1 - M4SC1)	Orifice taraudé SAE (drain SAE) (M4C1 - M4SC1)	V	034-71153-0	034-71153-0	1
4-bolts UNC (BSPP drain) (M4C1 - M4SC1) UNC 4 fori (drenaggio BSP) (M4C1 - M4SC1)		UNC Flansch (R Leckölanschluß) (M4C1 - M4SC1) UNC 4 agujeros (drenaje BSP) (M4C1 - M4SC1)	4 trous UNC (drain BSPP) (M4C1 - M4SC1)	W	034-66274-0	034-66274-0	1	
4-bolts Metric (BSPP drain) (M4C1 - M4SC1) Metrica 4 fori (drenaggio BSP) (M4C1 - M4SC1)		Metric Flansch (R Leckölanschluß) (M4C1 - M4SC1) Metrico 4 agujeros (drenaje BSP) (M4C1 - M4SC1)	4 trous métriques (drain BSPP) (M4C1 - M4SC1)	X	034-67086-0	034-67086-0	1	
End cap opposite ported (4-bolts UNC) (SAE drain) (M4C - M4SC) Bocche sul lato opposto del coperchio UNC 4 fori (drenaggio SAE) (M4C - M4SC)		Deckel gegenüberliegende Anschlüsse UNC Flansch (SAE Leckölanschluß) (M4C - M4SC) Bocas en tapa opuesta UNC 4 agujeros (drenaje SAE) (M4C - M4SC)	Chapeau orifices opposés 4 trous UNC (drain SAE) (M4C - M4SC)	Y	034-71509-0	034-71509-0	1	
2a		Screw (rear ported) Vite (bocche posteriori)	Schraube (axiale Anschlüsse) Tornillo (bocas trasera)	Vis (orifices arrières)			4	
		2b	Screw (side ported) Vite (bocche laterali)	Schraube (seitliche Anschlüsse) Tornillo (bocas laterales)	Vis (orifices de côté)		4	



Spare part list

Series M4C, Denison Vane Motors

Item Pos. Ref. Pos.	Description Descrizione	Benennung Description	Description	Part N° Teil N° Code N° Cod. N° Referencia M4C - M4C1	Part N° Teil N° Code N° Cod. N° Referencia M4SC - M4SC1	Qty Stück Ctes. Cant.
3	Rotor Rotore	Rotor Rotor	Rotor	034-49976-0	034-49976-0	1
	Cam ring 024 Anello camma 024	Hubring 024 Aro volumetrico 024	Came 024	034-71871-0	034-71884-0	1
	Cam ring 027 Anello camma 027	Hubring 027 Aro volumetrico 027	Came 027	034-67134-0	034-66791-0	1
4	Cam ring 031 Anello camma 031	Hubring 031 Aro volumetrico 031	Came 031	034-48641-0	034-49857-0	1
	Cam ring 043 Anello camma 043	Hubring 043 Aro volumetrico 043	Came 043	034-48642-0	034-49856-0	1
	Cam ring 055 Anello camma 055	Hubring 055 Aro volumetrico 055	Came 055	034-48643-0	034-49855-0	1
	Cam ring 067 Anello camma 067	Hubring 067 Aro volumetrico 067	Came 067	034-46809-0	034-49854-0	1
	Cam ring 075 Anello camma 075	Hubring 075 Aro volumetrico 075	Came 075	034-71126-0	034-59834-0	1
5	Port plate pressure Piatto distributore anter.	Steuerplatte Plato de presion	Plaque pression	034-53342-0	034-53342-0	1
6	Sq. section seal Guarnizione	Dichtring Junta seccion cuadrada	Joint section carrée	691-10238-0	695-20238-0	1
7	Housing Corpo	Gehäuse Cuerpo	Carter	034-49802-0	034-49802-0	1
8	Sq. section seal Guarnizione	Dichtring Junta seccion cuadrada	Joint section carrée	691-10226-0	695-20226-0	1
9	Retaining ring Anello elastico	Sicherungsring Aro relencion	Circlips	356-30206-0	356-30206-0	1
10a	Key (code 1) Chiavetta (codice 1)	Paßfeder (Typ 1) Chaveta (codigo 1)	Clavette (code 1)	034-48690-0	034-48690-0	1
10b	Key (code 2) Chiavetta (codice 2)	Paßfeder (Typ 2) Chaveta (codigo 2)	Clavette (code 2)	034-49622-0	034-49622-0	1
11a	Shaft (keyed) (code 1) Albero a chiavetta (codice 1)	Paßfederwelle (Typ 1) Eje chaveteado (codigo 1)	Arbre à clavette (code 1)	034-71074-0	034-71074-0	1
11b	Shaft (keyed) (code 2) Albero a chiavetta (codice 2)	Paßfederwelle (Typ 2) Eje chaveteado (codigo 2)	Arbre à clavette (code 2)	034-71144-0	034-71144-0	1
11c	Shaft (splined) (code 3) Albero scanalato (codice 3)	Vielkeilwelle (Typ 3) Eje estrirado (codigo 3)	Arbre à cannelures (code 3)	034-71809-0	034-71809-0	1
12	Felt wiper Feltro pulitore	Filzring Felpa	Joint feutre	034-49975-0	034-49975-0	1
13	Shaft seal Paraolio	Simmering Retén eje	Joint d'arbre	637-00004-0	637-00004-0	1
14	Round section ring Anello elastico	Sicherungsring Anillo torico	Anneau	034-70777-0	034-70777-0	2
15	Ball bearing Cuscinetto a sfera	Kugellager Cojinete de bolas	Roulement à billes	230-03205-0	230-03205-0	1

Spare part list

Series M4C, Denison Vane Motors

Item Ref. Pos.	Description	Benennung	Description	Description	Part N° Teil Nr. Code N° Cod. N° Referencia M4C - M4C1	Part N° Teil Nr. Code N° Cod. N° Referencia M4C - M4C1	Qty. Stock Mts. O. la. Cant.
16	Dowel pin Spina	Fixierstift Pasador		Goupille	324-21210-0	324-21210-0	2
17	Spring vane Molla	Feder für Flügel Muelle paleta		Ressort de palette	A 034-49978-0	034-49978-0	30
18	Vane Paletta	Flügel Paleta		Palette	A 034-49977-0	034-49977-0	10
19	Sq. section seal Guarnizione	Dichting Junta seccion cuadrada		Joint section carrée	E 605-10002-3	605-10002-3	1
20	Needle bearing Cuscinetto a rulli	Nadellager Cojinete de agujas		Roulement à aiguilles	G...Y 230-82008-0	230-82008-0	1
21	Ball Sfera	Kugel Bola		Bille d'acier	F 201-06001-0	201-06001-0	1
22	Adaptor valve Adattatore	Kugel ventil Valvula adaptadora		Adapteur valve	F 034-53346-0	034-53346-0	1
23	Screw Vite	Schraube Tornillo		Vis	F 312-35056-0	312-35056-0	1
	Plug rear ported Tappo bocche posteriori	Stopfen axiale Anschlüsse Boca trasera taponada		Bouchon orifices arrières			
	SAE drain (M4C - M4SC) Drenaggio SAE (M4C - M4SC)	SAE Leckölschluß (M4C - M4SC) Drenaje SAE (M4C - M4SC)		Drain SAE (M4C - M4SC)	GH 449-01080-3	449-01080-3	1
	BSPP drain (M4C - M4SC) Drenaggio BSP (M4C - M4SC)	R Leckölschluß (M4C - M4SC) Drenaje BSP (M4C - M4SC)		Drain BSPP (M4C - M4SC)	JK 449-01062-3	449-01062-3	1
	SAE drain (M4C1 - M4SC1) Drenaggio SAE (M4C1 - M4SC1)	SAE Leckölschluß (M4C1 - M4SC1) Drenaje SAE (M4C1 - M4SC1)		Drain SAE (M4C1 - M4SC1)	LM 488-35021-0	488-35021-0	1
24	BSPP drain (M4C1 - M4SC1) Drenaggio BSP (M4C1 - M4SC1)	R Leckölschluß (M4C1 - M4SC1) Drenaje BSP (M4C1 - M4SC1)		Drain BSPP (M4C1 - M4SC1)	NP 446-01004-2	446-01004-2	1
	Plug side ported Tappo bocche laterali	Stopfen seitliche Anschlüsse Boca laterale taponada		Bouchon orifices de côtéé			
	SAE drain (M4C - M4SC) (side and opposite ported) Drenaggio SAE (M4C - M4SC) (bocche laterali opposte)	SAE Leckö. (M4C-M4SC) (seitliche und gegenüberliegende Anschlüsse) Drenaje SAE (M4C - M4SC) (bocas laterales y opuestas)		Drain SAE (M4C - M4SC) (orifices opp. et de côtéé)	QRY 449-01081-3	449-01081-3	1
	BSPP drain (M4C - M4SC) Drenaggio BSP (M4C - M4SC)	R Leckölschluß (M4C - M4SC) Drenaje BSP (M4C - M4SC)		Drain BSPP (M4C - M4SC)	ST 449-01063-3	449-01063-3	1
	SAE drain (M4C1 - M4SC1) Drenaggio SAE (M4C1 - M4SC1)	SAE Leckölschluß (M4C1 - M4SC1) Drenaje SAE (M4C1 - M4SC1)		Drain SAE (M4C1 - M4SC1)	UV 488-06090-0	488-06090-0	1
	BSPP drain (M4C1 - M4SC1) Drenaggio BSP (M4C1 - M4SC1)	R Leckölschluß (M4C1 - M4SC1) Drenaje BSP (M4C1 - M4SC1)		Drain BSPP (M4C1 - M4SC1)	WX 446-01006-2	446-01006-2	1
	Washer thread seal (rear ported) (BSPP drain) (M4C1 - M4SC1) Guarnizione (bocche posteriori) (drenaggio BSPP) (M4C1 - M4SC1)	Dichting (axiale Anschlüsse) (R-Gewinde Leckölschluß) Junta (bocas trasera) (drenaje BSP) (M4C1 - M4SC1)		Joint (orifices arrières) (drain BSPP) (M4C1 - M4SC1)	JK 612-00001-3	612-00001-3	1
25	Washer thread seal (side ported) (BSPP drain) (M4C1 - M4SC1) Guarnizione (bocche laterali) (drenaggio BSPP) (M4C1 - M4SC1)	Dichting (seitliche Anschlüsse) (R-Gewinde Leckölschluß) Junta (bocas laterales) (drenaje BSP) (M4C1 - M4SC1)		Joint (orifices de côtéé) (drain BSPP) (M4C1 - M4SC1)	WX 635-01006-2	635-01006-2	1
26	Check valve (M4C1 - M4SC1) Valvola di ritengo (M4C1 - M4SC1)	Rückschlagventil (M4C1 - M4SC1) Valvula de retención (M4C1 - M4SC1)		Clapet (M4C1 - M4SC1)	L...P U...X S14-01257-0	S14-01257-0	2

Spare part list

Series M4C, Denison Vane Motors

Item Pos. Ref. Pos.	Description Descrizione	Benennung Description	Description	Part N° Teil Nr. Code N° Cod. N° Referencia M4C - M4C1	Part N° Teil Nr. Code N° Cod. N° Referencia M4SC - M4SC1	Qty. Stück Qte. Cant.	
27	Plug (M4C1 - M4SC1) Tappo (M4C1 - M4SC1)	Stopfen (M4C1 - M4SC1) Tapon (M4C1 - M4SC1)	Bouchon (M4C1 - M4SC1)	L...P U...X	431-90600-0	431-90600-0	1
	REPAIR KIT KIT DI RICAMBIO	AUSTAUSCH-BAUGRUPPEN CONJUNTO REPARACION	POCHETTES RECHANGES				
A	Kit 024 Cartuccia 024	Pumpeneinsatz 024 Juego 024	Cartouche 024	S14-45081-0	S14-45082-0	1	
A	Kit 027 Cartuccia 027	Pumpeneinsatz 027 Juego 027	Cartouche 027	S24-64040-0	S24-63668-0	1	
A	Kit 031 Cartuccia 031	Pumpeneinsatz 031 Juego 031	Cartouche 031	S14-27027-0	S14-27031-0	1	
A	Kit 043 Cartuccia 043	Pumpeneinsatz 043 Juego 043	Cartouche 043	S14-27028-0	S14-27032-0	1	
A	Kit 055 Cartuccia 055	Pumpeneinsatz 055 Juego 055	Cartouche 055	S14-27029-0	S14-27033-0	1	
A	Kit 067 Cartuccia 067	Pumpeneinsatz 067 Juego 067	Cartouche 067	S14-27030-0	S14-27034-0	1	
A	Kit 075 Cartuccia 075	Pumpeneinsatz 075 Juego 075	Cartouche 075	S14-41505-0	S24-10890-0	1	
B	Shaft and bearing ass'y (code 1) Ins. albero (codice 1)	Baugruppe (Welle u. Lager) (Typ 1) Conjunto eje (codigo 1)	Arbre à clavette et roulement ass. (code 1)	S14-27026-0	S14-27026-0	1	
C	Shaft and bearing ass'y (code 2) Ins. albero (codice 2)	Baugruppe (Welle u. Lager) (Typ 2) Conjunto eje (codigo 2)	Arbre à clavette et roulement ass. (code 2)	S14-41575-0	S14-41575-0	1	
D	Shaft and bearing ass'y (code 3) Ins. albero (codice 3)	Baugruppe (Welle u. Lager) (Typ 3) Conjunto eje (codigo 3)	Arbre à cannelures et roulement ass. (code 3)	S14-44482-0	S14-44482-0	1	
E	Seal kit (S1) (M4C - M4C1) Serie guarnizioni (S1) (M4C - M4C1)	Dichtringsatz (S1) (M4C - M4C1) Juego de juntas (S1) (M4C - M4C1)	Pochette de joints (S1) (M4C - M4C1)	S14-29879-0		1	
	Seal kit (S5) (M4SC - M4SC1) Serie guarnizioni (S5) (M4SC - M4SC1)	Dichtringsatz (S5) (M4SC - M4SC1) Juego de juntas (S5) (M4SC - M4SC1)	Pochette de joints (S5) (M4SC - M4SC1)		S14-29879-5	1	
F	Port plate-pressure ass'y Ins. piatto distributore anter.	Steuerplatte Conjunto plato dist.	Plaque pression ass.	S14-29880-0	S14-29880-0	1	
	End cap ass'y rear ported Ins. coperchio bocche posteriori	Gehäuse baugruppe axiale Anschlüsse Conjunto bocas en tapa trasera	Chapeau arrière ass. orifices arrières				
G	4-bolts UNC (SAE drain) (M4C - M4SC) UNC 4 for (drenaggio SAE) (M4C - M4SC)	UNC Flansch (SAE Leckölschluß) (M4C - M4SC) UNC 4 agujeros (drenaje SAE) (M4C - M4SC)	4 trous UNC (drain SAE) (M4C - M4SC)	S14-27035-0	S14-27035-0	1	
H	SAE thd. port (SAE drain) (M4C - M4SC) Filettature SAE (drenaggio SAE) (M4C - M4SC)	SAE Gewinde (SAE Leckölschluß) (M4C - M4SC) Rosca SAE (drenaje SAE) (M4C - M4SC)	Orifice taraudé SAE (drain SAE) (M4C - M4SC)	S14-27036-0	S14-27036-0	1	
J	4-bolts UNC (BSP drain) (M4C - M4SC) UNC 4 for (drenaggio BSP) (M4C - M4SC)	UNC Flansch (R Leckölschluß) (M4C - M4SC) UNC 4 agujeros (drenaje BSP) (M4C - M4SC)	4 trous UNC (drain BSP) (M4C - M4SC)	S14-83314-0	S14-83314-0	1	
K	4-bolts Metric (BSP drain) (M4C - M4SC) Metrica 4 for (drenaggio BSP) (M4C - M4SC)	Metric Flansch (R Leckölschluß) (M4C - M4SC) Metrico 4 agujeros (drenaje BSP) (M4C - M4SC)	4 trous métriques (drain BSP) (M4C - M4SC)	S14-97209-0	S14-97209-0	1	
L	4-bolts UNC (SAE drain) (M4C1 - M4SC1) UNC 4 for (drenaggio SAE) (M4C1 - M4SC1)	UNC Flansch (SAE Leckölschluß) (M4C1 - M4SC1) UNC 4 agujeros (drenaje SAE) (M4C1 - M4SC1)	4 trous UNC (drain SAE) (M4C1 - M4SC1)	S14-27037-0	S14-27037-0	1	
M	SAE thd. port (SAE drain) (M4C1 - M4SC1) Filettature SAE (drenaggio SAE) (M4C1 - M4SC1)	SAE Gewinde (SAE Leckölschluß) (M4C1 - M4SC1) Rosca SAE (drenaje SAE) (M4C1 - M4SC1)	Orifice taraudé SAE (drain SAE) (M4C1 - M4SC1)	S14-27038-0	S14-27038-0	1	

Spare part list

Series M4C, Denison Vane Motors

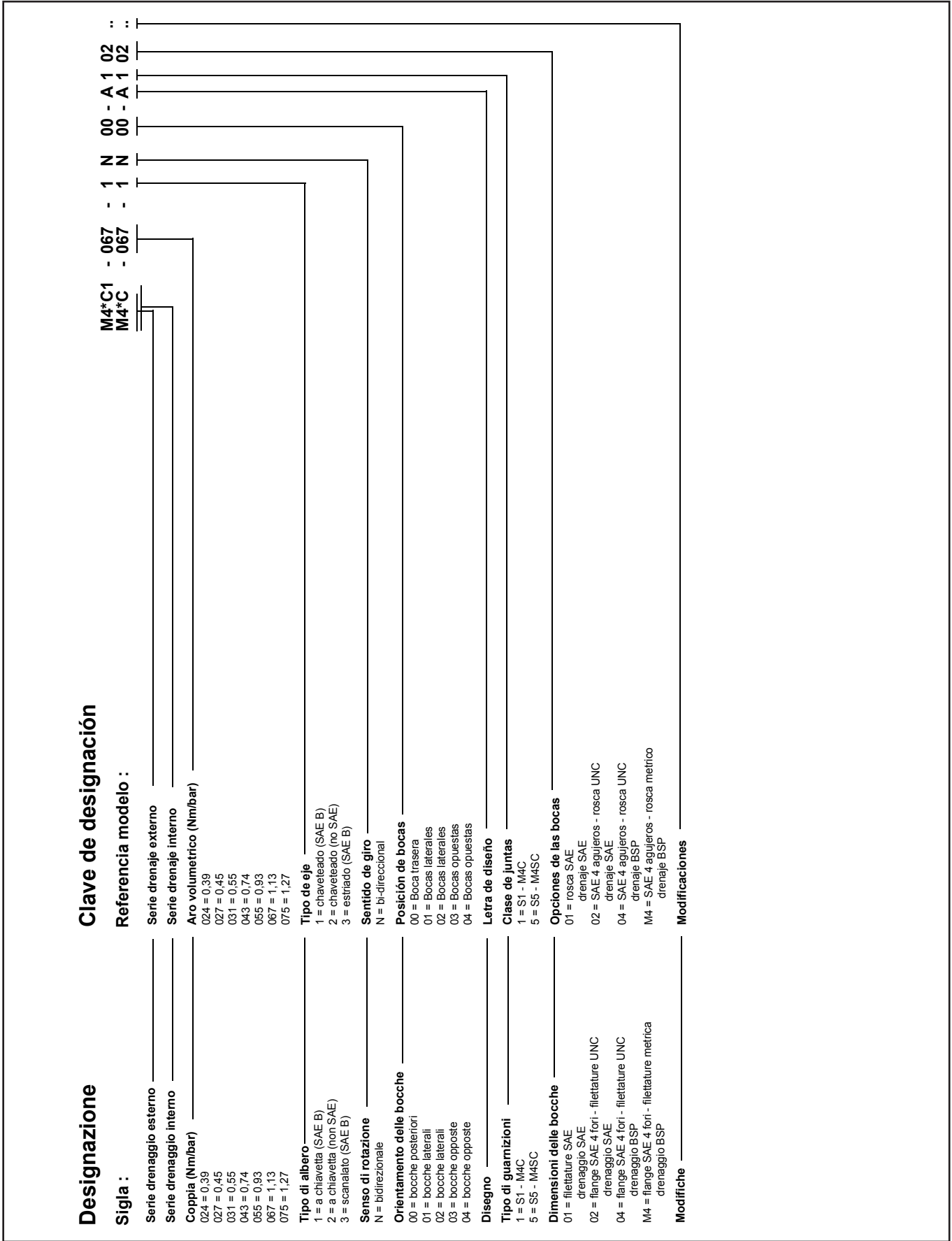
Item Part Ref. Pos. Pos.	Description Descrizione	Benennung Description	Description	Part N° Tell N° Code N° Cod. N° Referencia M4C - M4SC1	Part N° Tell N° Code N° Cod. N° Referencia M4SC - M4SC1	Qty Stück Qte Qtà Cant.
N	4-bolts UNC (BSPP drain) (M4C1 - M4SC1) UNC 4 fori (drenaggio BSP) (M4C1 - M4SC1)	UNC Flansch (R Leckölänschluß) (M4C1 - M4SC1) UNC 4 agujeros (drenaje BSP) (M4C1 - M4SC1)	4 trous UNC (drain BSPP) (M4C1 - M4SC1)	S14-83886-0	S14-83886-0	1
P	4-bolts Metric (BSPP drain) (M4C1 - M4SC1) Metrica 4 fori (drenaggio BSP) (M4C1 - M4SC1)	Metrisch Flansch (R Leckölänschluß) (M4C1 - M4SC1) Metrico 4 agujeros (drenaje BSP) (M4C1 - M4SC1)	4 trous métriques (drain BSPP) (M4C1 - M4SC1)	S24-58065-0	S24-58065-0	1
	End cap ass'y side ported Ins. coperchio bocche laterali	Gehäuse baugruppe seitliche Anschlüsse Conjunto bocas en tapa laterales	Chapeau arrière ass. orifices de côté			
Q	4-bolts UNC (SAE drain) (M4C - M4SC) UNC 4 fori (drenaggio SAE) (M4C - M4SC)	UNC Flansch (SAE Leckölänschluß) (M4C - M4SC) UNC 4 agujeros (drenaje SAE) (M4C - M4SC)	4 trous UNC (drain SAE) (M4C - M4SC)	S14-41576-0	S14-41576-0	1
R	SAE thd. port (SAE drain) (M4C - M4SC) Filettature SAE (drenaggio SAE) (M4C - M4SC)	SAE Gewinde (SAE Leckölänschluß) (M4C - M4SC) Rosca SAE (drenaje SAE) (M4C - M4SC)	Orifice taraudé SAE (drain SAE) (M4C - M4SC)	S14-41577-0	S14-41577-0	1
S	4-bolts UNC (BSPP drain) (M4C - M4SC) UNC 4 fori (drenaggio BSP) (M4C - M4SC)	UNC Flansch (R Leckölänschluß) (M4C - M4SC) UNC 4 agujeros (drenaje BSP) (M4C - M4SC)	4 trous UNC (drain BSPP) (M4C - M4SC)	S14-83315-0	S14-83315-0	1
T	4-bolts Metric (BSPP drain) (M4C - M4SC) Metrica 4 fori (drenaggio BSP) (M4C - M4SC)	Metrisch Flansch (R Leckölänschluß) (M4C - M4SC) Metrico 4 agujeros (drenaje BSP) (M4C - M4SC)	4 trous métriques (drain BSPP) (M4C - M4SC)	S24-26534-0	S24-26534-0	1
U	4-bolts UNC (SAE drain) (M4C1 - M4SC1) UNC 4 fori (drenaggio SAE) (M4C1 - M4SC1)	UNC Flansch (SAE Leckölänschluß) (M4C1 - M4SC1) UNC 4 agujeros (drenaje SAE) (M4C1 - M4SC1)	4 trous UNC (drain SAE) (M4C1 - M4SC1)	S14-41578-0	S14-41578-0	1
V	SAE thd. port (SAE drain) (M4C1 - M4SC1) Filettature SAE (drenaggio SAE) (M4C1 - M4SC1)	SAE Gewinde (SAE Leckölänschluß) (M4C1 - M4SC1) Rosca SAE (drenaje SAE) (M4C1 - M4SC1)	Orifice taraudé SAE (drain SAE) (M4C1 - M4SC1)	S14-41579-0	S14-41579-0	1
W	4-bolts UNC (BSPP drain) (M4C1 - M4SC1) UNC 4 fori (drenaggio BSP) (M4C1 - M4SC1)	UNC Flansch (R Leckölänschluß) (M4C1 - M4SC1) UNC 4 agujeros (drenaje BSP) (M4C1 - M4SC1)	4 trous UNC (drain BSPP) (M4C1 - M4SC1)	S14-93377-0	S14-93377-0	1
X	4-bolts Metric (BSPP drain) (M4C1 - M4SC1) Metrica 4 fori (drenaggio BSP) (M4C1 - M4SC1)	Metrisch Flansch (R Leckölänschluß) (M4C1 - M4SC1) Metrico 4 agujeros (drenaje BSP) (M4C1 - M4SC1)	4 trous métriques (drain BSPP) (M4C1 - M4SC1)	S24-63412-0	S24-63412-0	1
Y	End cap opposite ported (4-bolts UNC) (SAE drain) (M4C - M4SC) Bocche sul lato opposto del coperchio UNC 4 fori (drenaggio SAE) (M4C - M4SC)	Deckel gegenüberliegende Anschlüsse UNC Flansch (SAE Leckölänschluß) (M4C - M4SC) Bocas en tapa opuesta UNC 4 agujeros (drenaje SAE) (M4C - M4SC)	Chapeau orifices opposés 4 trous UNC (drain SAE) (M4C - M4SC)	S14-43439-0	S14-43439-0	1



Model Code	Typenschlüssel	Designation - type
Model number : Series external drain Series internal drain Torque (Nm/bar) 024 = 0,39 027 = 0,45 031 = 0,55 043 = 0,74 055 = 0,93 067 = 1,13 075 = 1,27 Type of shaft 1 = keyed (SAE B) 2 = keyed (non SAE) 3 = splined (SAE B) Direction of rotation N = bi-directional Porting combination 00 = Rear ported 01 = Side ported 02 = Side ported 03 = Opposed ported 04 = Opposed ported Design letter Seal class 1 = S1 - M4C 5 = S5 - M4SC Mouting w/connction variables 01 = SAE threaded port SAE drain 02 = SAE 4 bolts flange UNC threaded - SAE drain 04 = SAE 4 bolts flange UNC threaded - BSPP drain M4 = SAE 4 bolts flange metric threaded - BSPP drain Modifications	Typenbezeichnung : Baureihe externer Leckölschluß Baureihe interner Leckölschluß Drehmoment (Nm/bar) 024 = 0,39 027 = 0,45 031 = 0,55 043 = 0,74 055 = 0,93 067 = 1,13 075 = 1,27 Art der Welle 1 = Palstfederveille (SAE B) 2 = Palstfederveille (nicht SAE) 3 = Vielkeilwelle (SAE B) Drehrichtung N = Rechts und Linkslauf Lage der Anschlüsse 00 = Axiale Anschlüsse 01 = Seitliche Anschlüsse 02 = Seitliche Anschlüsse 03 = Gegenüberliegende Anschlüsse 04 = Gegenüberliegende Anschlüsse Ausführungsbuchstabe Dichtungs-k-lasse 1 = S1 - M4C 5 = S5 - M4SC Gehäuse-Anschlußgröße 01 = SAE-Gewinde Leckölschluß SAE 02 = 4 Loch-Flansch SAE UNC-Gewinde - Leckölschluß SAE 04 = 4 Loch-Flansch SAE UNC-Gewinde - R-Leckölschluß M4 = 4 Loch-Flansch SAE metrisch-Gewinde - R-Leckölschluß Modifikationen	Numéro du modèle : Série drain externe Série drain interne Couple (Nm/bar) 024 = 0,39 027 = 0,45 031 = 0,55 043 = 0,74 055 = 0,93 067 = 1,13 075 = 1,27 Type d'arbre 1 = à clavette (SAE B) 2 = à clavette (non SAE) 3 = à cannelures (SAE B) Sens de rotation N = Bi-directionnel Combinaison des orifices 00 = Sorties arrières 01 = Sorties latérales 02 = Sorties latérales 03 = Sorties opposées 04 = Sorties opposées Conception Classe de joint 1 = S1 - M4C 5 = S5 - M4SC Option sur orifices 01 = taraudage SAE drain SAE 02 = bride SAE 4 trous taraudage UNC - drain SAE 04 = bride SAE 4 trous taraudage UNC - drain BSPP M4 = bride SAE 4 trous taraudage métrique - drain BSPP Modifications



Key Sheet



Designazione

Sigla :

- Serie drenaggio esterno
- Serie drenaggio interno
- Coppia (Nimbar)
- 024 = 0,39
- 027 = 0,45
- 031 = 0,55
- 043 = 0,74
- 055 = 0,93
- 067 = 1,13
- 075 = 1,27

Tipo di albero

- 1 = a chiavetta (SAE B)
- 2 = a chiavetta (non SAE)
- 3 = scanalato (SAE B)

Senso di rotazione

N = bidirezionale

Orientamento delle bocche

- 00 = bocche posteriori
- 01 = bocche laterali
- 02 = bocche laterali
- 03 = bocche opposte
- 04 = bocche opposte

Disegno

- Tipo di guarnizioni**
- 1 = S1 - M4C
- 5 = S5 - M4SC

Dimensioni delle bocche

- 01 = filettature SAE drenaggio SAE
- 02 = flange SAE 4 fori - filettature UNC drenaggio SAE
- 04 = flange SAE 4 fori - filettature UNC drenaggio BSP
- M4 = flange SAE 4 fori - filettature metrica drenaggio BSP

Modifiche

Clave de designación

Referencia modelo :

- Serie drenaje externo
- Serie drenaje interno
- Aro volumetrico (Nimbar)
- 024 = 0,39
- 027 = 0,45
- 031 = 0,55
- 043 = 0,74
- 055 = 0,93
- 067 = 1,13
- 075 = 1,27

Tipo de eje

- 1 = chaveteado (SAE B)
- 2 = chaveteado (no SAE)
- 3 = estriado (SAE B)

Sentido de giro

N = bi-direccional

Posición de bocas

- 00 = Boca trasera
- 01 = Bocas laterales
- 02 = Bocas laterales
- 03 = Bocas opuestas
- 04 = Bocas opuestas

Letra de diseño

- Clase de juntas**
- 1 = S1 - M4C
- 5 = S5 - M4SC

Opciones de las boccas

- 01 = rosca SAE drenaje SAE
- 02 = SAE 4 agujeros - rosca UNC drenaje SAE
- 04 = SAE 4 agujeros - rosca UNC drenaje BSP
- M4 = SAE 4 agujeros - rosca métrico drenaje BSP

Modificaciones



Warning**WARNING — USER RESPONSIBILITY**

FAILURE OR IMPROPER SELECTION OR IMPROPER USE OF THE PRODUCTS DESCRIBED HEREIN OR RELATED ITEMS CAN CAUSE DEATH, PERSONAL INJURY AND PROPERTY DAMAGE.

- This document and other information from Parker-Hannifin Corporation, its subsidiaries and authorized distributors provide product or system options for further investigation by users having technical expertise.
- The user, through its own analysis and testing, is solely responsible for making the final selection of the system and components and assuring that all performance, endurance, maintenance, safety and warning requirements of the application are met. The user must analyze all aspects of the application, follow applicable industry standards, and follow the information concerning the product in the current product catalog and in any other materials provided from Parker or its subsidiaries or authorized distributors.
- To the extent that Parker or its subsidiaries or authorized distributors provide component or system options based upon data or specifications provided by the user, the user is responsible for determining that such data and specifications are suitable and sufficient for all applications and reasonably foreseeable uses of the components or systems.

Offer of Sale

Please contact your Parker representation for a detailed "Offer of Sale".

Parker Worldwide

Europe, Middle East, Africa

AE – United Arab Emirates,
Dubai

Tel: +971 4 8127100
parker.me@parker.com

AT – Austria, Wiener Neustadt
Tel: +43 (0)2622 23501-0
parker.austria@parker.com

AT – Eastern Europe, Wiener
Neustadt
Tel: +43 (0)2622 23501 900
parker.easteurope@parker.com

AZ – Azerbaijan, Baku
Tel: +994 50 2233 458
parker.azerbaijan@parker.com

BE/LU – Belgium, Nivelles
Tel: +32 (0)67 280 900
parker.belgium@parker.com

BY – Belarus, Minsk
Tel: +375 17 209 9399
parker.belarus@parker.com

CH – Switzerland, Etoy
Tel: +41 (0)21 821 87 00
parker.switzerland@parker.com

CZ – Czech Republic, Klecany
Tel: +420 284 083 111
parker.czechrepublic@parker.com

DE – Germany, Kaarst
Tel: +49 (0)2131 4016 0
parker.germany@parker.com

DK – Denmark, Ballerup
Tel: +45 43 56 04 00
parker.denmark@parker.com

ES – Spain, Madrid
Tel: +34 902 330 001
parker.spain@parker.com

FI – Finland, Vantaa
Tel: +358 (0)20 753 2500
parker.finland@parker.com

FR – France, Contamine s/Arve
Tel: +33 (0)4 50 25 80 25
parker.france@parker.com

GR – Greece, Athens
Tel: +30 210 933 6450
parker.greece@parker.com

HU – Hungary, Budapest
Tel: +36 1 220 4155
parker.hungary@parker.com

IE – Ireland, Dublin
Tel: +353 (0)1 466 6370
parker.ireland@parker.com

IT – Italy, Corsico (MI)
Tel: +39 02 45 19 21
parker.italy@parker.com

KZ – Kazakhstan, Almaty
Tel: +7 7272 505 800
parker.easteurope@parker.com

NL – The Netherlands, Oldenzaal
Tel: +31 (0)541 585 000
parker.nl@parker.com

NO – Norway, Asker
Tel: +47 66 75 34 00
parker.norway@parker.com

PL – Poland, Warsaw
Tel: +48 (0)22 573 24 00
parker.poland@parker.com

PT – Portugal, Leca da Palmeira
Tel: +351 22 999 7360
parker.portugal@parker.com

RO – Romania, Bucharest
Tel: +40 21 252 1382
parker.romania@parker.com

RU – Russia, Moscow
Tel: +7 495 645-2156
parker.russia@parker.com

SE – Sweden, Spånga
Tel: +46 (0)8 59 79 50 00
parker.sweden@parker.com

SK – Slovakia, Banská Bystrica
Tel: +421 484 162 252
parker.slovakia@parker.com

SL – Slovenia, Novo Mesto
Tel: +386 7 337 6650
parker.slovenia@parker.com

TR – Turkey, Istanbul
Tel: +90 216 4997081
parker.turkey@parker.com

UA – Ukraine, Kiev
Tel: +380 44 494 2731
parker.ukraine@parker.com

UK – United Kingdom, Warwick
Tel: +44 (0)1926 317 878
parker.uk@parker.com

ZA – South Africa, Kempton Park
Tel: +27 (0)11 961 0700
parker.southafrica@parker.com

North America

CA – Canada, Milton, Ontario
Tel: +1 905 693 3000

US – USA, Cleveland
(industrial)
Tel: +1 216 896 3000

US – USA, Elk Grove Village
(mobile)
Tel: +1 847 258 6200

Asia Pacific

AU – Australia, Castle Hill
Tel: +61 (0)2-9634 7777

CN – China, Shanghai
Tel: +86 21 2899 5000

HK – Hong Kong
Tel: +852 2428 8008

IN – India, Mumbai
Tel: +91 22 6513 7081-85

JP – Japan, Fujisawa
Tel: +81 (0)4 6635 3050

KR – South Korea, Seoul
Tel: +82 2 559 0400

MY – Malaysia, Shah Alam
Tel: +60 3 7849 0800

NZ – New Zealand, Mt Wellington
Tel: +64 9 574 1744

SG – Singapore
Tel: +65 6887 6300

TH – Thailand, Bangkok
Tel: +662 717 8140

TW – Taiwan, Taipei
Tel: +886 2 2298 8987

South America

AR – Argentina, Buenos Aires
Tel: +54 3327 44 4129

BR – Brazil, Cachoeirinha RS
Tel: +55 51 3470 9144

CL – Chile, Santiago
Tel: +56 2 623 1216

MX – Mexico, Apodaca
Tel: +52 81 8156 6000

Ed. 2011-07-07

EMEA Product Information Centre

Free phone: 00 800 27 27 5374

(from AT, BE, CH, CZ, DE, DK, EE, ES, FI, FR, IE, IL,
IS, IT, LU, MT, NL, NO, PL, PT, RU, SE, SK, UK, ZA)

US Product Information Centre

Toll-free number: 1-800-27 27 537

www.parker.com

